

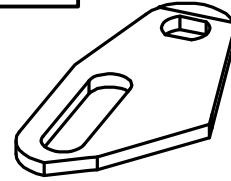
FOR DORNIER RAPIER

3730

3730 - GTNF 4/SD (SELVEDGE RH & LH)



● 3733 R



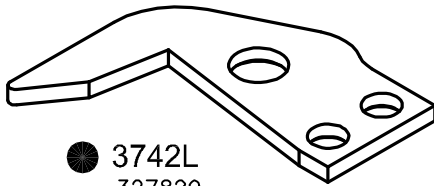
● 3734 R

3740 - (SELVEDGE)

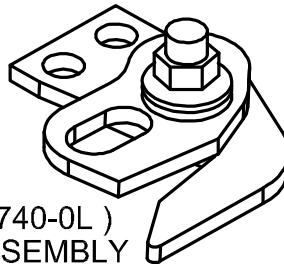
● 3741L
322553



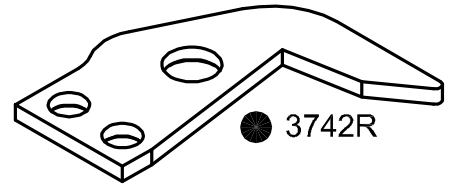
3741R ●
322552



● 3742L
327829



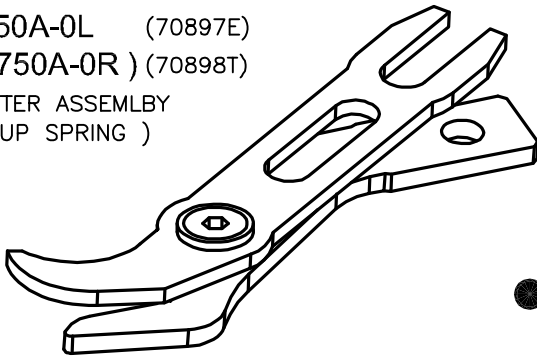
3740-0R (3740-0L)
CUTTER ASSEMBLY



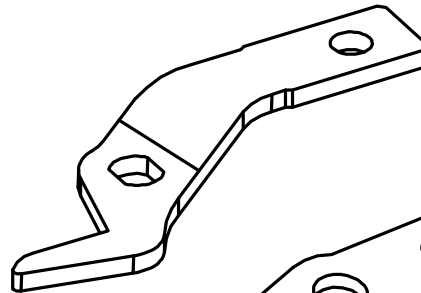
● 3742R

3750 - (SELVEDGE)

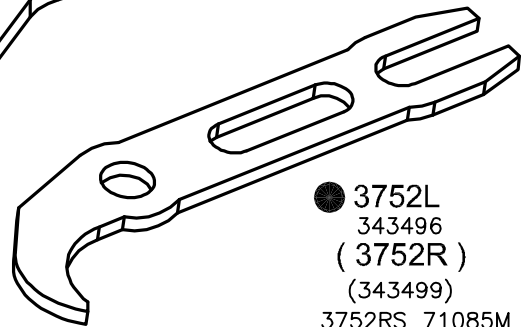
3750A-0L (70897E)
(3750A-0R) (70898T)
CUTTER ASSEMBLY
(CUP SPRING)



● 3751L
343497
(3751R)
(343498)



● 3752L
343496
(3752R)
(343499)

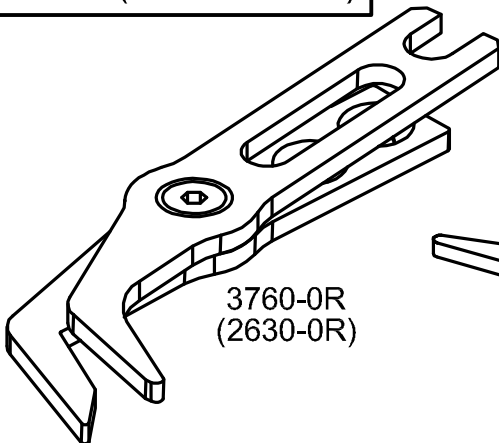


3750B-0L (71085N)
(3750B-0R) (71085P)
CUTTER ASSEMBLY (SPRING)

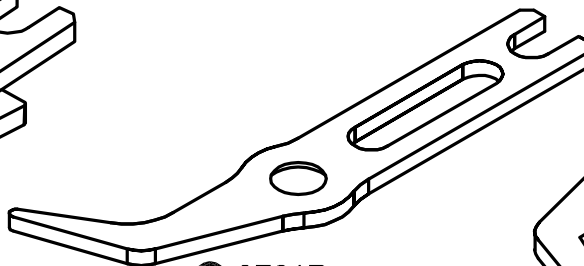
3751RS 71085L
3751LS 71085H

3752RS 71085M
3752LS 71085K

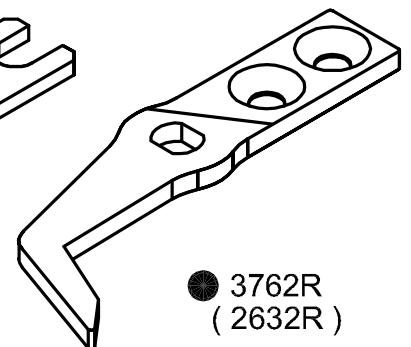
3760 - (SELVEDGE)



3760-0R
(2630-0R)



● 3761R
(2631R)
3761L
(2631L)



● 3762R
(2632R)
3762L
(2632L)

MATERIAL CODE : ● SOLID CARBIDE , ○ HSS , ◐ BRAZED CARBIDE , ⊙ TIN COATED